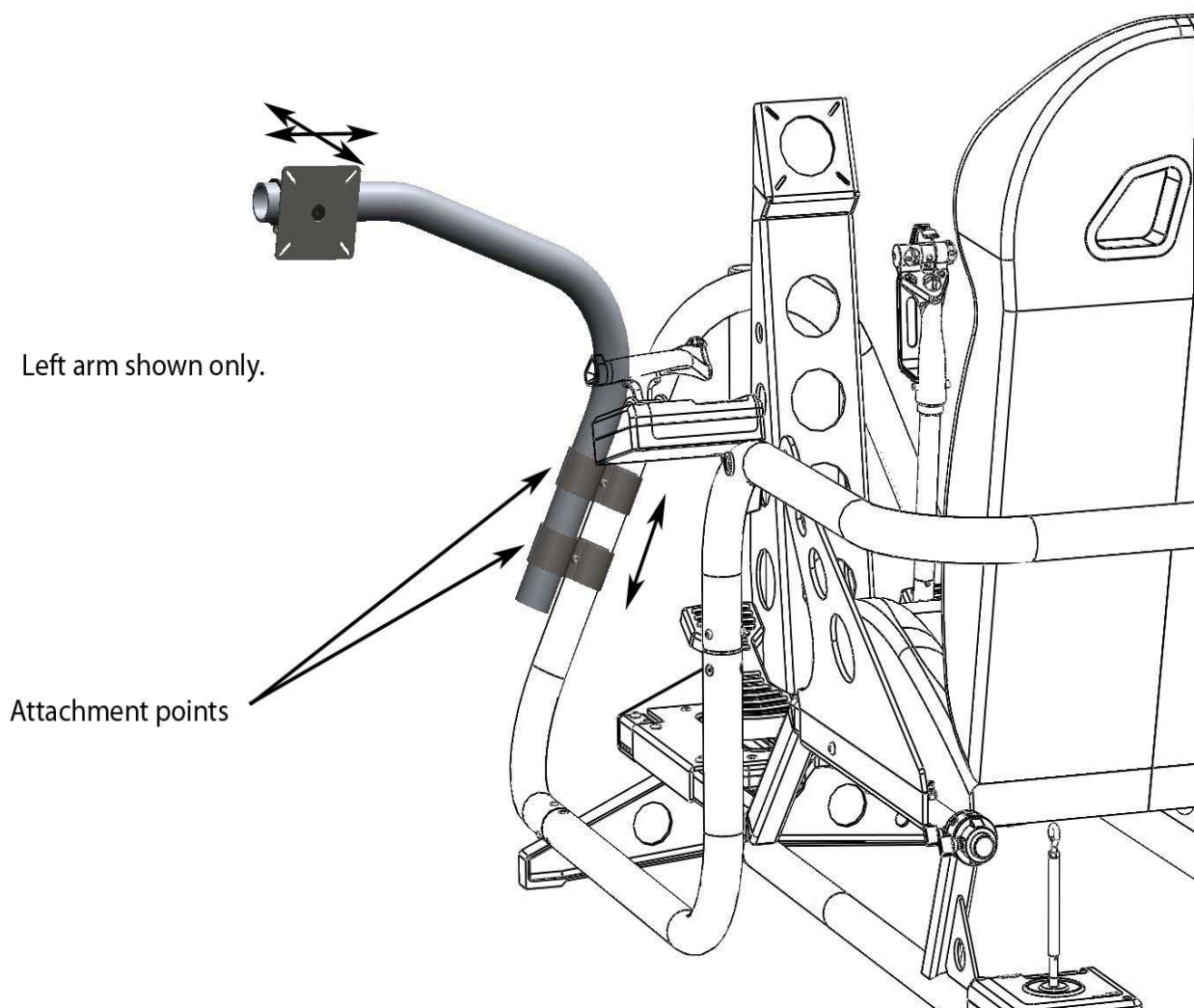


Triple Monitor Mount Assembly

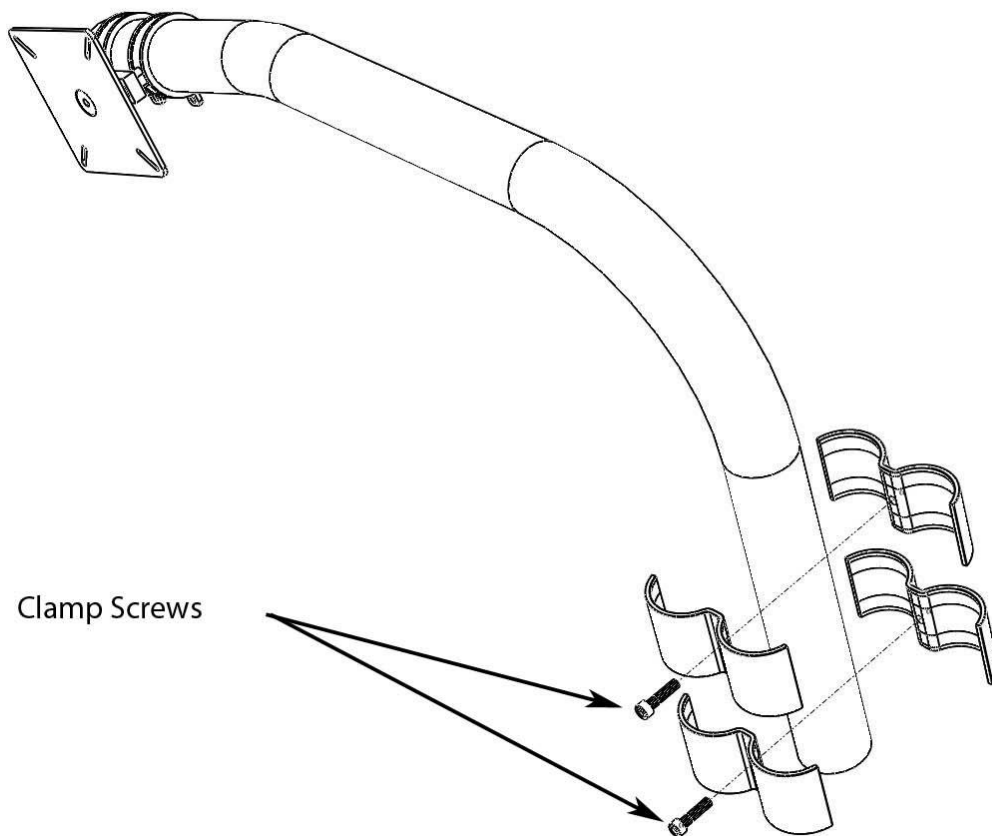
Accessory Assembly Overview

Available for the FMS DF X-2 is a triple monitor mount package. The package includes two completely adjustable monitor mounting arms and all required bracketry to allow you to add two additional monitors to your existing Dreamflyer.

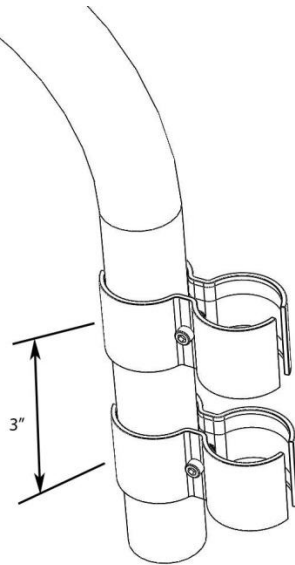


Accessory Assembly Detail

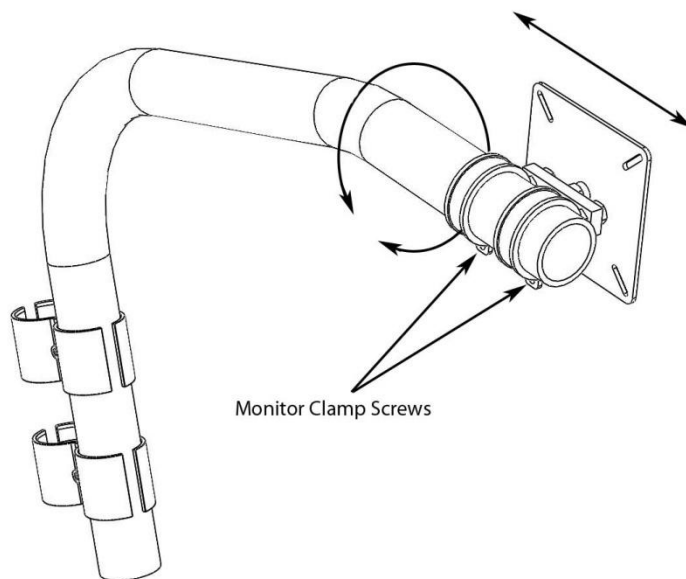
- 1) Be sure the main assembly has been completed (previous section) and tested for complete free range of motion before attaching the triple monitor accessory mount system. The accessory monitor mount system is designed to accept monitors with standard 75mm or 100mm VESA compatible mounting screw holes. Most monitors will bolt on directly.
- 2) Remove the two clamp screws and split open both clamps. Have an assistant position the arms in their approximate position and re-join the clamps over the accessory arm and the main arm of the Dreamflyer. Re-insert the two clamp screws and tighten snugly.



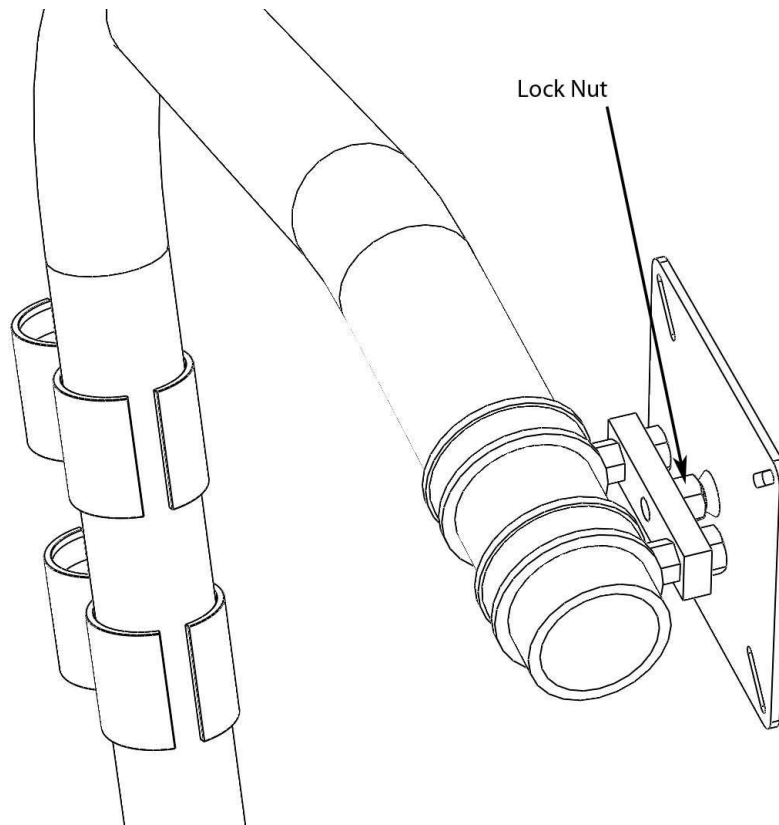
- 3) Ensure clamps are spaced a minimum of 3" apart and approximately 1" from the end of the tube to ensure a stable mounting position.



- 4) Loosening of the two monitor clamp screws will allow you to slide the monitor in and out along the tube as well as swivel it around the tube for the right angle.



- 5) Loosening the lock nut shown below, will allow you to pivot the monitor mount plate a full 360 degrees to allow for the monitor alignment of your choosing.



- 6) Please try to mirror the mounting position as closely as possible on the right hand side of the Dreamflyer machine. This will ensure that the symmetrical balance is maintained therefore requiring little or no compensation in the counterweight set up. (See next chapter).